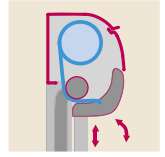


micro 300

made
in
germany

CE
EN 13561



Markisolette
for windows,
balconies
and loggias

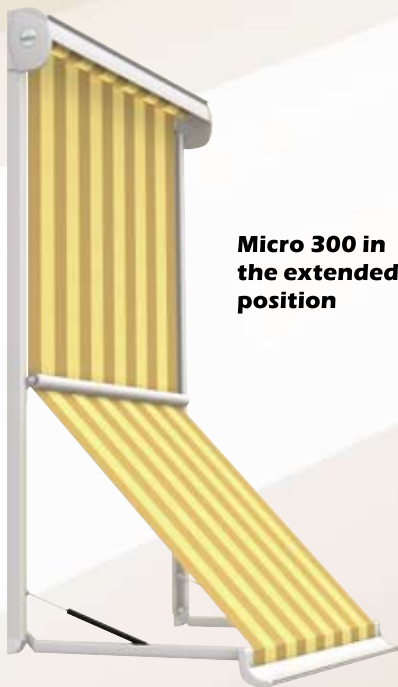
Lewens
SONNENSCHUTZ-SYSTEME

GmbH & Co. KG



micro 300

Markisolette
for windows,
balconies
and loggias



Micro 300 in the extended position

Technical features

■ Width

Up to 350 cm

■ Arm lengths

Standard 72.5 cm,
arm pitch up to 135°

■ Height

Up to 275 cm max.

■ Drive

Supplied as standard with an electric motor for operation, available on request (price reduction) with a crank handle for operation (from outside) or an offset crank handle for internal operation.

■ Special equipment

Sun and wind sensor, radio control

■ Framework colours

- Silver powder-coated
- White powder-coated RAL 9016
- Brown powder-coated RAL 8077
- Special coating possible in all RAL colours

▲ Drop arms

High-quality gas springs ensure that the Micro 300 awning fabric is perfectly tensioned in any extended position, showing its superb lustre to best advantage.

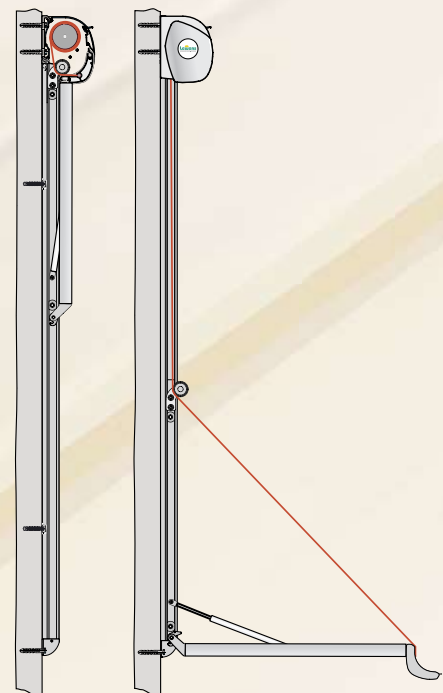
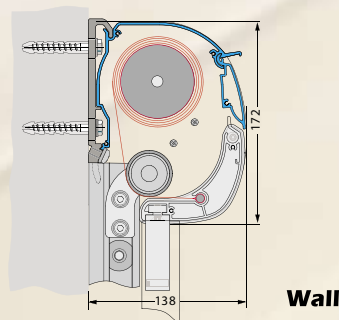
▲ Cassette

With its minimal dimensions and slimline design, the cassette will grace any façade. It fits snugly against the wall, creating a harmonious transition from awning to house façade.

◀ The **Micro 300** markisolette has a cassette that is elegant in design yet offers optimum protection for the awning fabric when closed. The level of shade and angle of incidence of the light can be adjusted by altering the extended position of the markisolette.

Supplied as standard with an electric motor for operation. The Micro 200 can be fitted optionally with a crank handle for operation (from outside) or an offset crank handle for internal operation (price reduction).

Fitting



Lewens
SONNENSCHUTZ-SYSTEME
GmbH & Co. KG

Your stockist