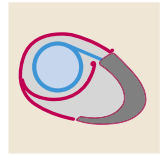


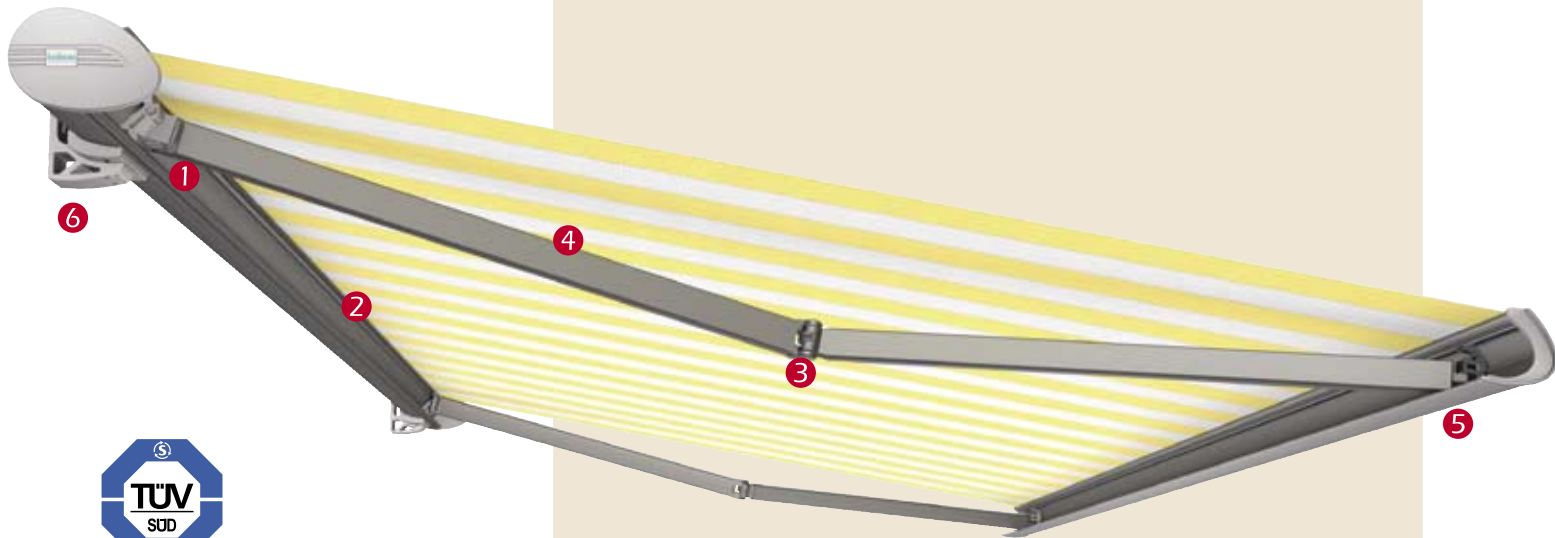
toskana grande



The modern
full cassette
awning
for large areas

Lewens
SONNENSCHUTZ-SYSTEME GmbH & Co. KG

The modern full cassette awning for large areas



The **Toskana Grande** was developed to give many years of use on medium to large patio areas. Its modern oval design offers optimum protection for the awning fabric and mechanism when retracted.

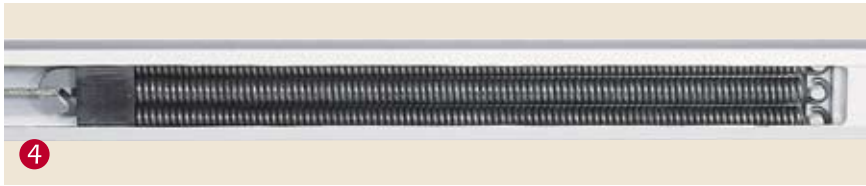
The timeless design will enhance the appearance of any façade and can be combined with a suitable framework colour and awning fabric of your choice. With a fabric collection that offers a wide range of patterns, the variety is limitless.



Vario valance
Optionally available
with a height of 150 or 200 cm.
The Vario valance will fit units
up to 600 x 350 cm in size.

The **extremely high spring tension** of the hinged arms ensures a superbly taut sit of the fabric.

- No resting of the awning cloth on the arm joints.
- Hinged arm joints feature a pin made of high-grade steel. ▼



4

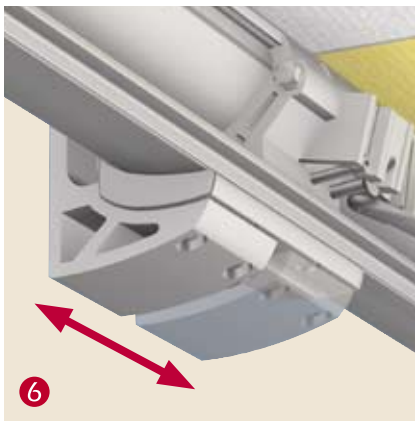
Hinged arm joint ▶

The plastic-coated double cable is designed for an extremely long service life.

- No soiling of the greased cables caused by exposure to the environment.
- Arm profile and cables of the same colour.



3



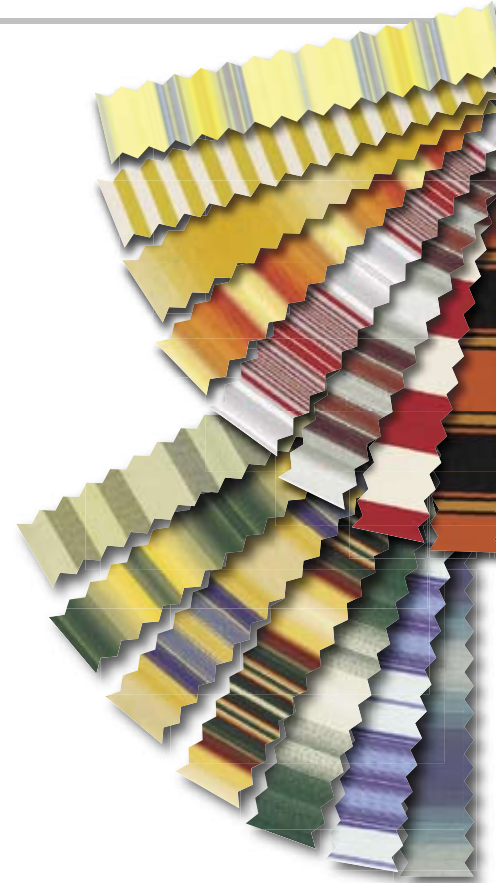
6

◀ **Consoles**

The Toskana Grande up to 650 cm in width is attached to the wall or ceiling by two consoles. The console attachment can be varied considerably on this model thanks to the specially developed casing holders, which permit the consoles to be moved sideways (see illustration).

Fabrics ▶

Our new collection offers a wide range of patterns spanning the entire colour spectrum.



Front profile bracket ▶

Joins the arms securely to the front profile and permits adjustment of the angle.



5

Fabric cover shell

The integral fabric cover shell offers an elegant solution for concealing the fabric roller. ▼



2

Arm bracket ▶

Reliable and secure, the arm bracket is made from high-strength aluminium alloy. Its round design matches the contour of the fabric cover shell.

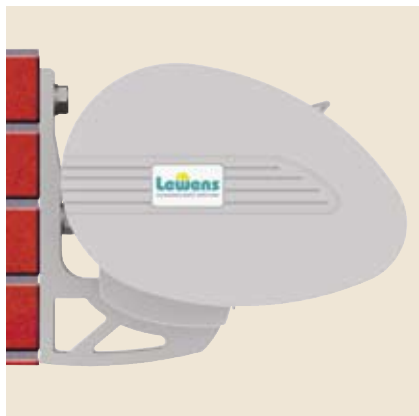


1

End caps

The plastic end caps can be colour-matched to the awning fabric. ▶





Technical features and fitting options

Technical features

Width

- Up to 650 cm with 2 hinged arms
- Up to 700 cm with 3 hinged arms
- Up to 1300 cm, 2 units linked with 4 hinged arms
- Up to 1950 cm, 3 units linked with 6 hinged arms

Arm lengths

150/200/250/300/350/400 cm
Special lengths on request

Drive

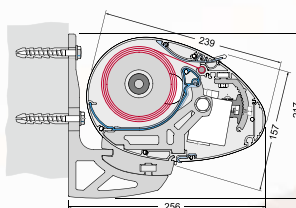
Electric motor fitted as standard, bevel gear available on request (price reduction).
On single units 651-700 cm, units with 3 hinged arms and linked units always electric motor.

Special equipment

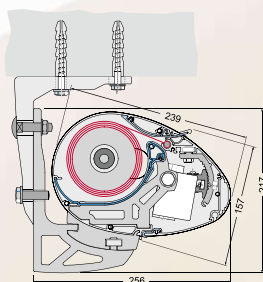
Sun and wind sensor, radio control (extra charge), vario valance

Framework colours

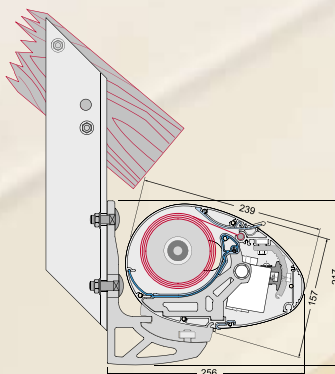
- Silver anodized E6/EV1, small components powder-coated: grey RAL 7035
- White powder-coated RAL 9016
- Brown powder-coated RAL 8077
- Cream powder-coated RAL 9001
- Special coating possible in all RAL colours (extra charge)



Wall



Ceiling



Rafter



Lewens
SONNENSCHUTZ-SYSTEME GmbH & Co. KG

Your stockist: